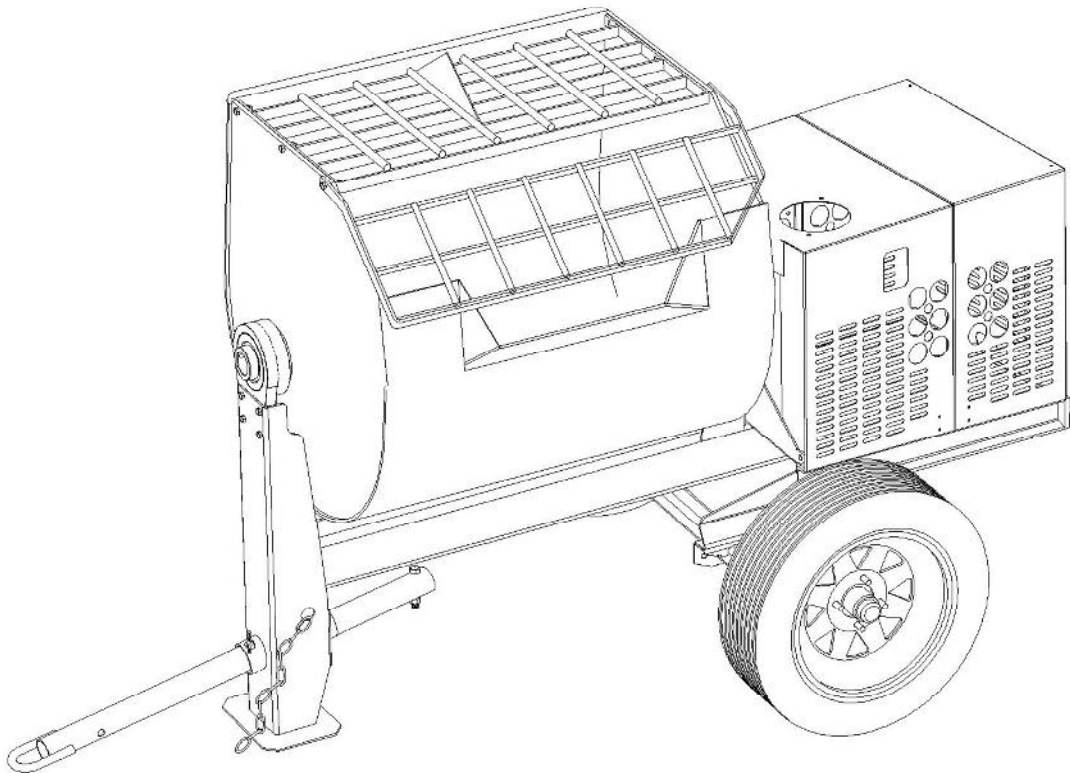


MORTAR MIXER

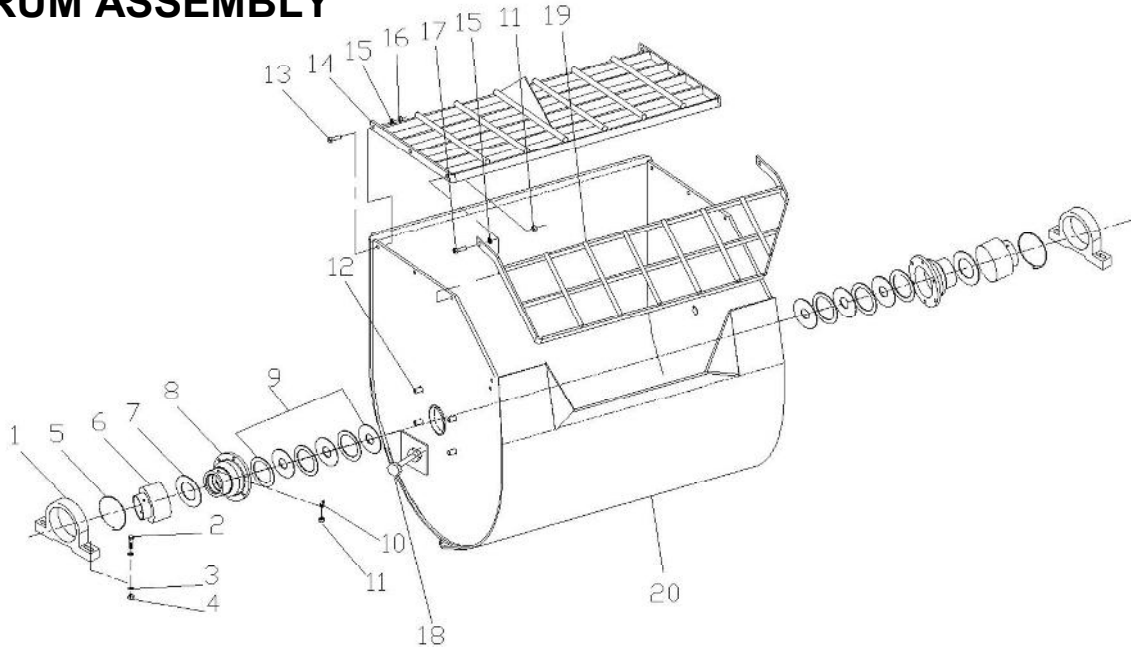
HIDRAULIC

HM16



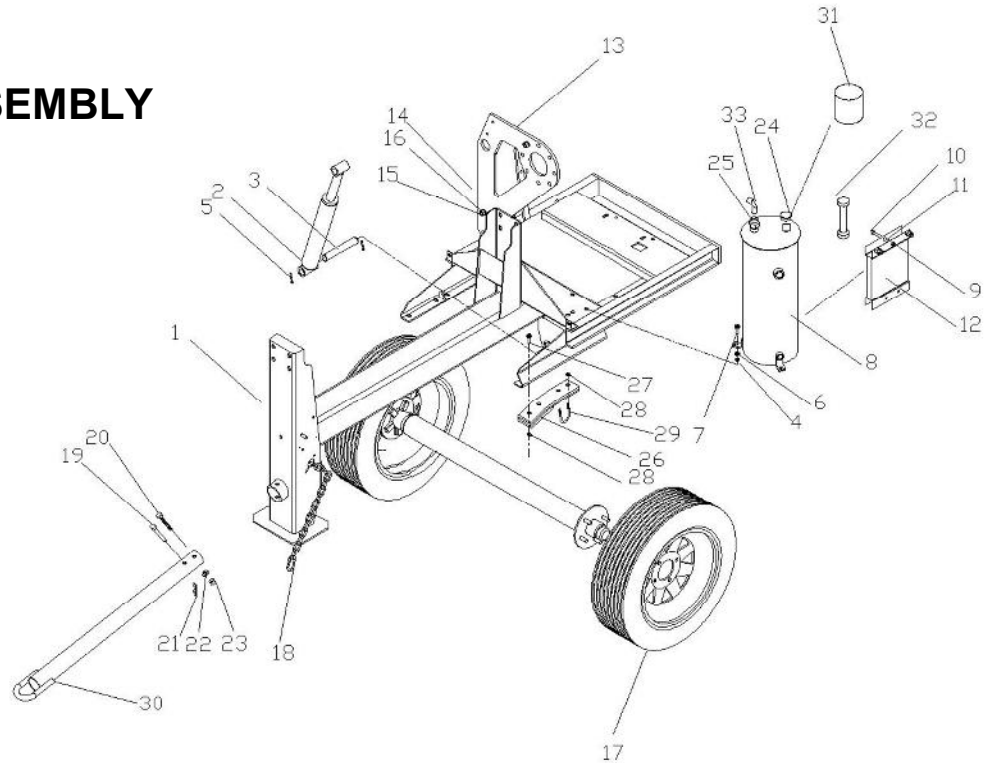
Parts List	Page
Drum Assembly	2
Frame Assembly	3
Hood Assembly	4
Paddle Assembly	5
Drive Kit Assembly	6
Hidraulic Schematic	7
Hydraulic Hoses & Fittings	8
Options	9

DRUM ASSEMBLY



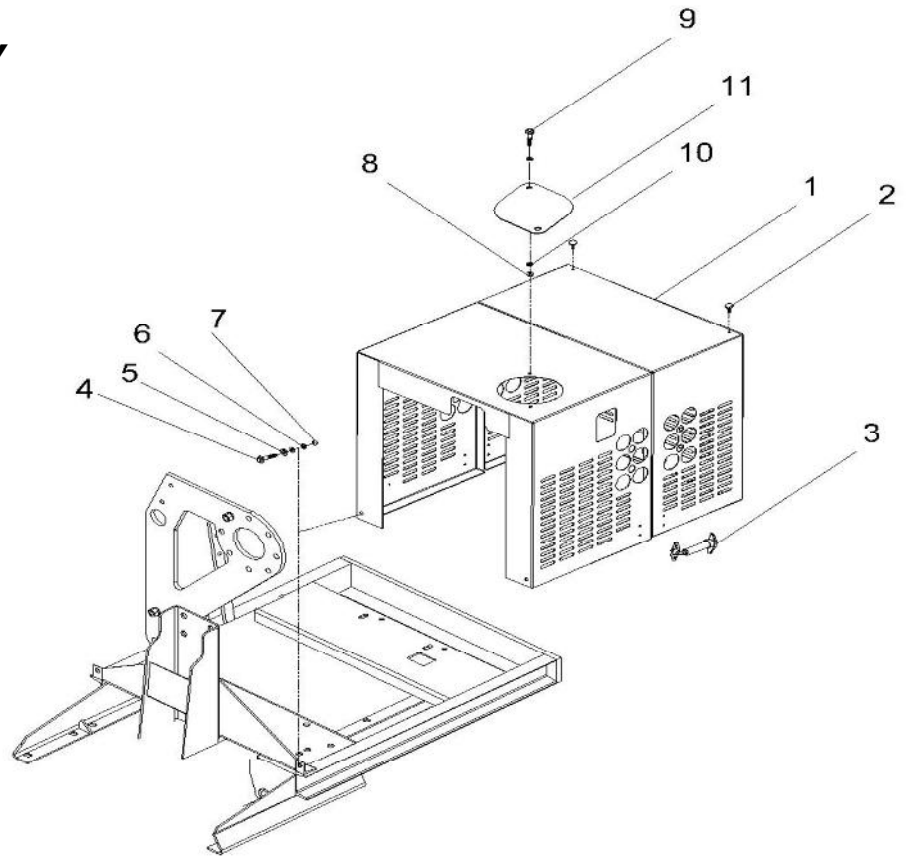
REF	HM16	Description	Qty
1	00CHPI2300	Pillow Block, 3"	2
2	TOCD012212	Hex Head Bolt, 1/2 x 2 1/2	4
3	RNPX012GAL	Flat Washer 1/2 SAE	10
4	TCCS012GAL	Lock Nut, 1/2"	4
5	SM00300INT	Retaining Ring 3" External	2
6	0200KI02TN	Ball Bearing 208-24	2
7		Steel Seal C-29	2
8	0200CO01TN	Trunnion	1
9	0200KI01TN	Kit, Rubber Seal	2
10	0000GRH045	Fitting, Grease 45 Deg.	2
11	TCCS038GAL	Lock, Nut, 3/8	3
12	TOCL012112	Bolt, Carriage 1/2 x 1-1/2	8
13	TOCD038114	Bolt, HexHd, 3/8 x 1-1/4	4
14	465024	Grill, Fixed	1
15	RNPX038GAL	Washer, 3/8	6
16	TCCN038GAL	Nut, Hex, 3/8"	6
17	TOCD038112	Bolt,HexHd, 3/8 x 1-1/2	2
18	TOCD100412	Bolt, HexHd, 1 x 4-1/2	1
19	465036	Grill, Hinged	1
20	412866	Drum Assembly	1

FRAME ASSEMBLY



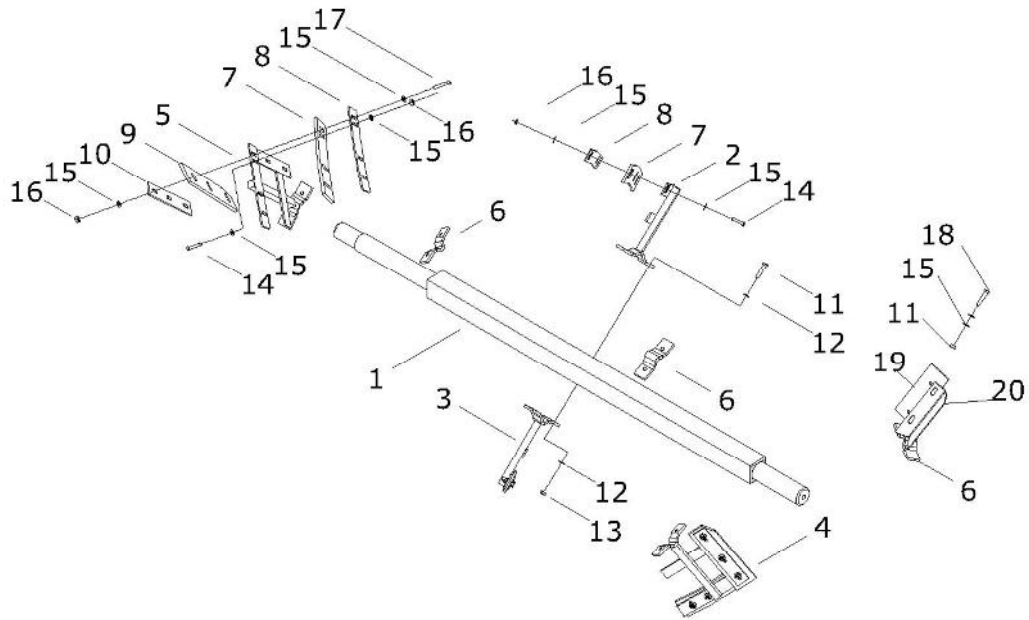
REF	HM16	DESCRIPTION	HM16
1	412863	Frame assembly	1
2	412915	Cylinder, HYD 2" x 10"	1
3	412855	Pin, Cylinder 1 x6.5"	1
4	TCCS038GAL	Lock Nut, Hex, 3/8"	3
5	SC018112GAL	Cotter Pin 3/16 x 1-1/2	2
6	RNRX038GAL	LockWasher, 3/8	3
7	TOCD038100	Bolt, HexHd, 3/8 x 1 "	3
8	412801	Reservoir Assembly	1
9	TCCS056GAL	Lock Nut,Hex,5/16	2
10	TOCD056300	Bolt, HexHd,5/16 x 3"	2
11	412167	Spacer	4
12	412902	Hydraulic Oil Cooler	1
13	412810	Reaction Arm	1
14	412940	Spacer, Reaction Arm	1
15	TOCD012200	Bolt,HexHd,1/2x2	4
16	TCCN012GAL	Nut, Hex 1/2, Top Lock	4
17	431081	Wheel & Tire Assy 5.5 x 13	2
18	609686	Safety Chain	1
19	0000CR01LZ	Pin Locking	1
20	TOFD034312	Hex Head Screw 3/4 x 3-1/2 NF	1
21	SR00036ET	Pin,Hair 3/16"	1
22	RNRX034GAL	Lock Washer 3/4"	1
23	TCCN034GAL	Nut,Hex, 3/4" NF	1
24		Breather Filters-BF-12P-5 10MIC	1
25	412948	Adapter	1
26	0000RF01CH	Axle Spring Assembly	2
27	TOCD012134	Bolt,HexHd,1/2x1-3/4	4
28	TCCS012GAL	Lock Nut, 1/2"	8
29	0200CR03RD	U Clamp	2
30	0000CO03LZ	Pintle Hitch Vertical Hole	1
31	HF6056	Filter	1
32	485115	Oil Level	1
33	412919	Adapter, 90°	1

HOOD ASSEMBLY



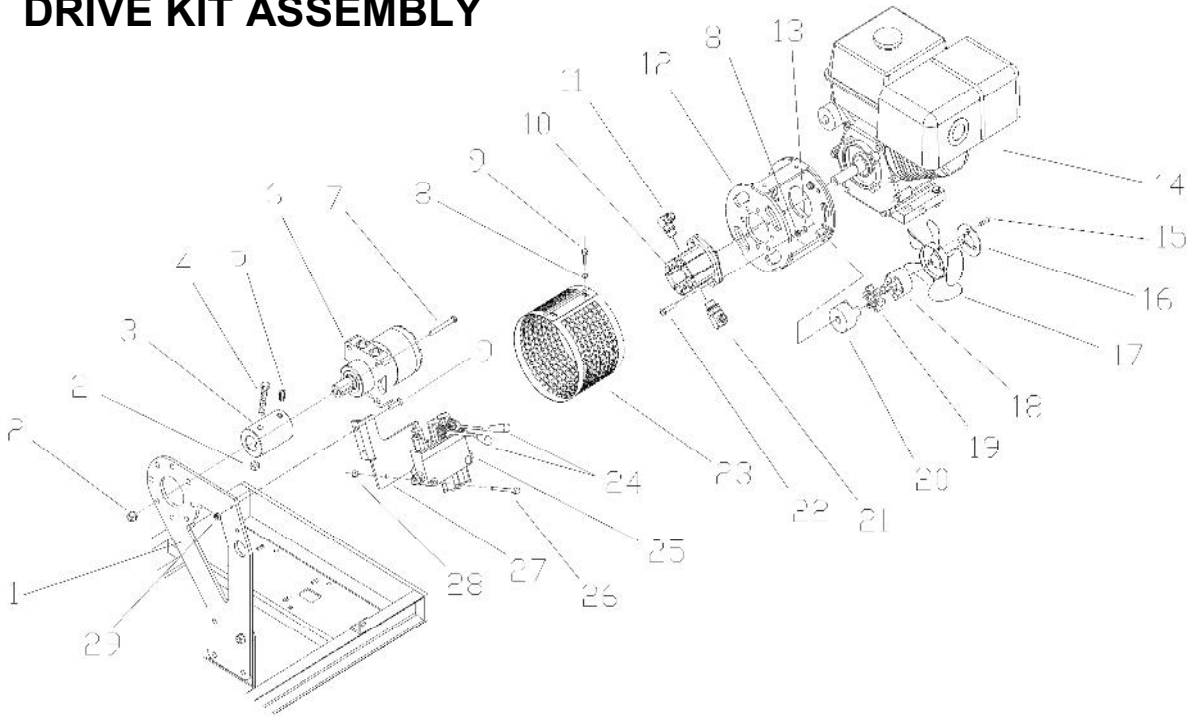
REF	HM16	DESCRIPTION	HM16
1	0222CO01GA	Hood Assembly	1
2	0000RF01GA	Ruber Screw	4
3	0000RF02GA	Hook Assembly	1
4	TOCD038114	Bolt,HexHd, 3/8 x 1-1/4	4
5	RNPX038ESP	Plain Washer 3/8	8
6	RNPX012ESP	Plain Washer 1/2	4
7	TCCS038GAL	Lock Nut 3/8	4
8	TOCD056100	Bolt,HexHd, 5/16 x 1	2
9	RNPX056GAL	Plain Washer 5/16	4
10	TCCS056GAL	Lock Nut 5/16	2

PADDLE ASSEMBLY



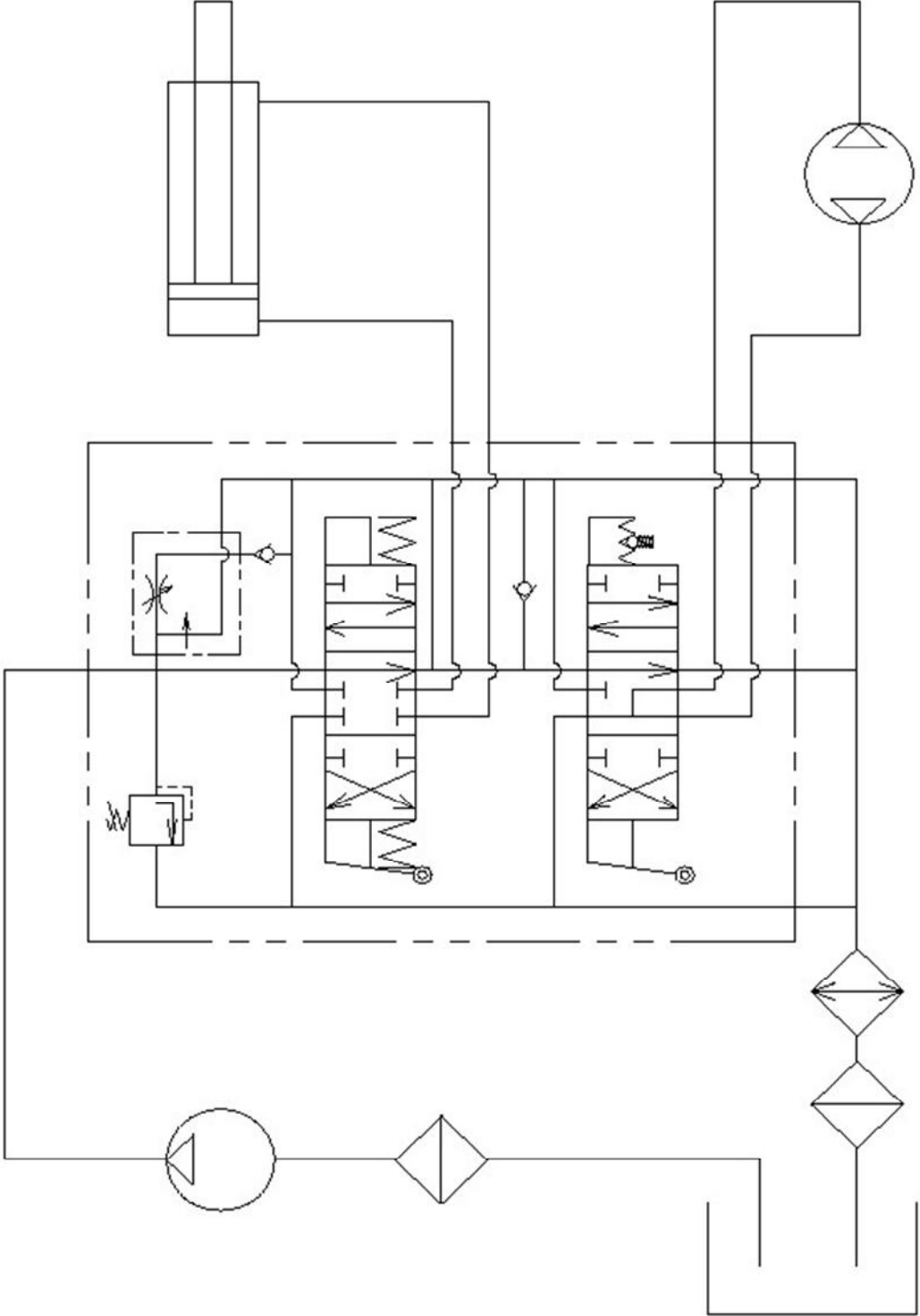
No.	Número de Parte	Description	Qty
1	0222CC01CH	Main Shaft, HM16	1
2	0200CO01AS	Paddle, Middle right	1
3	0200CO02AS	Paddle, Middle Left	1
4	0200CO03AS	Paddle, Right Arm	1
5	0200CO04AS	Paddle, Left Arm	1
6	0200SO05AS	Paddle Arm Bracket	2
7	0200RF01AS	Rubber, Center Blade	4
8	0200SO01AS	Center Blade	4
9	0200RF02AS	Rubber, Side Blade	2
10	0200SO02AS	Side Blade	2
11	TOCD012134	Hex Head Bolt, 1/2 x 1-3/4	10
12	RNPX012GAL	Flat Washer, 1/2 SAE	12
13	TCCS012GAL	Lock Nut, 1/2	10
14	TOCD038134	Hex Head Bolt, 3/8 x 1-3/4	18
15	RNPX038GAL	Flat Washer, 3/8 SAE	48
16	TCCS038GAL	Lock Nut, 3/8	24
17	TOCD038212	Hex Head Bolt, 3/8 x 2-1/2	2
18	TOCD038114	Hex Head Bolt, 3/8 x 1-1/4	4
19	0200PL03ES		2
20	0200PL01ES/0200PL02ES	Scraper LH/RH	2

DRIVE KIT ASSEMBLY



Ref	HM16	Description	HM16
1	412,810	Reaction Arm	1
2	TCCS038GAL	Nut, Hex 1/2, Top Lock, Gr5	5
3	412,814	Coupler, 1.5" W/Pkey	1
4	226,745	Bolt UNC 1/2 x 3-1/2 Gr 9	1
5	228,028	Set Screw, 5/16 x 3/8	1
6	412,950	Motor, Hyd 32.7 In ³ /Rev	1
7	TOCD012234	Bolt, HexHd, 1/2 x 2-3/4	4
8	RNRX038GAL	Washer, Spring, 3/8	4
9	TOCD038100	Bolt, HexHd, 3/8 x 1	4
10	412,927	Pump, Hyd .366 In ³ Rev, Gas Engine	a/r
10	412,928	Pump, Hyd .659 In ³ Rev, Elec Motor	a/r
11	412,926	Adapter, 90° #10 ORB Male ~ #10 JIC	1
12	412,800	Pump Mount W.A ~ 'A' Flange	1
13	TCCS038GAL	Nut, Hex, 3/8	2
14		Motor/Engine, See page 9	a/r
15	142,532	SHCS 5/16 x 3/4, CSK	3
16	412,815	Fan Collar, 2" BCD	1
17	412,851	Fan, 8" CCW	1
18	412,856	Coupler, L100 x 1" dia	1
19	412,854	Insert, L099-100U Blue	1
20	412,853	Coupler, L100 x 3/4" Dia	1
21	412,920	Adapter, 90° #12 ORB ~ #10 JIC	1
22	TOCD038112	Bolt, HexHD, 3/8 x 1-1/2	2
23	412,820	Guard, 9" Dia	1
24	485,704	Lever, Valve Control	2
25	412,914	Valve, 2 Spool Press Comp	1
26	TOCD056212	Bolt, HexHd, 5/16 x 2-1/2	2
27	412,818	Valve Mounting Bracket	1
28	227,821	Nut, 5/16, Nylon lock	2
29	TCCS038GAL	Nut, Hex, Lock, 3/8	4

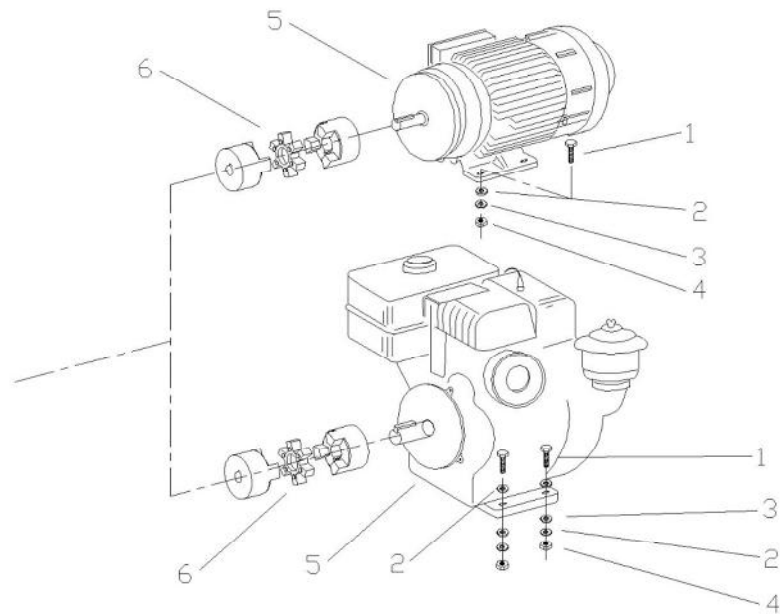
HIDRAULIC SCHEMATIC



HYDRAULIC HOSES & FITTINGS

Part	Description	Qty	Location
412858	Detent Kit	1	Valve
412903	Hose, 3/4 x 16" #10 JIC ~ #10 JIC	1	Reservoir To Pump Btm
412904	Hose, 1/2 x 18" #10 JIC ~ #10 JIC	1	Valve To Pump - Side
412905	Hose, 3/8 x 72" #6 JIC ~ #6 JIC	2	Valve To Cylinder
412906	Hose, 1/2 x 24" #10 JIC ~ #10 JIC	2	Valve To Motor
412907	Hose, 1/2 x 18" #8 JIC ~ #8 JIC	2	Cooler To Valve & Filter
412909	Adapter, 90° #4 NPT ~ #6 JIC	2	Cylinder Valve
412910	Adapter, #8 ORB ~ #10 JIC	2	Valve
412911	Adapter, #12 ORB ~ #8 JIC	1	Valve
412912	Adapter, 45° #8 NPT ~ #8 JIC	1	Filter
412913	Adapter, 45° #8 NPT ~ #10 JIC	1	Reservoir ~ Btm
412916	Adapter, #8 ORB ~ #6 JIC	2	Valve
412917	Adapter, Plug #10	1	Valve
412918	Adapter, Plug #8	1	Valve
412919	Adapter, 90° #8 JIC Fern ~ #8 JIC Male	2	Filter
412922	Adapter, 45° #10 ORB ~ #10 JIC	2	Hyd. Motor (pdl/spri shft)
412925	Adapter, Hyd #8 ORB ~ #8 JIC	1	Valve
412932	Ftg, Plug, #8 NPT	2	Reservoir
485104	Adapter, 90° #10 JIC Fern ~ #10 JIC Male	1	Valve
485115	Screen, Sucton - 100 Mesh 1" NPT	1	Reservoir

OPTIONS



Ref	HM16	Description	HM16
1	TOCD038200	Bolt, Hex Hd, 3/8 x 2	4
2	RNPX038GAL	Plain Washer, 3/8	8
3	RNPX012GAL	Plain Washer, 1/2	4
4	TCCN038GAL	Nut, hex, 3/8	4
2	RNPX038GAL	Plain Washer, 3/8	2
5	202020	Eng. Hon, 13 Hp, GX 390 K1QA6	1
6	412856	Coupler, L100 x 1" Dia	1
5	*	Motor, 5 Hp, 1-115/230, Ext Shaft	*
6	*	Coupler, L100 x 1.125" Dia	*
5	219993	Motor, 7.5 Hp, 3-575, Ext Shaft, 1" C Fl	1
6	412871	Coupler, L100 x 1.375" Dia	1
5	219999	Motor, 7.5 Hp, 1-115/230, 1" C Flg	1
6	412859	Coupler, L100 x 1.125" Dia	1
5	220000	Motor, 7.5 Hp, 3-239/460, Ext Shaft	1
6	412871	Coupler, L100 x 1.375" Dia	1