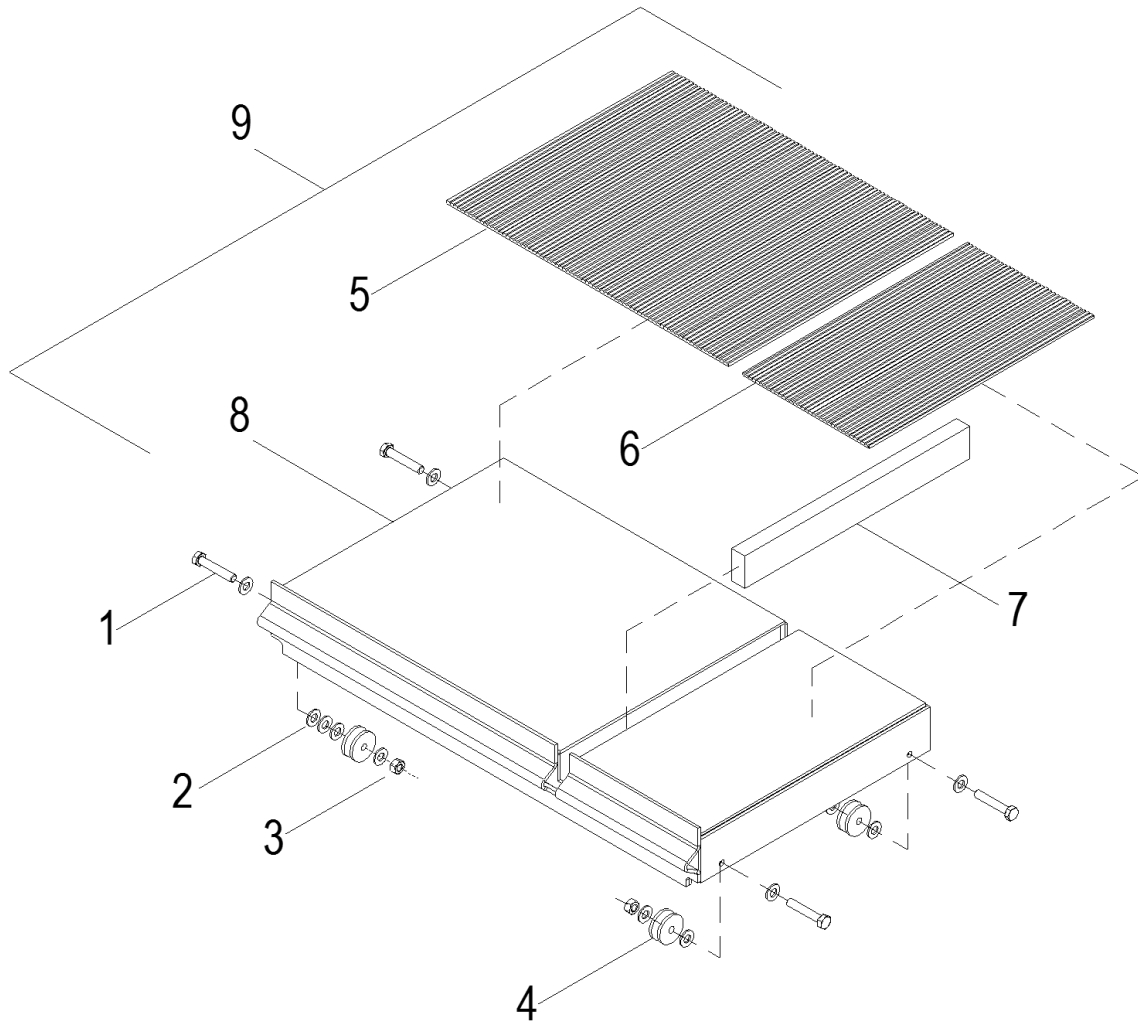
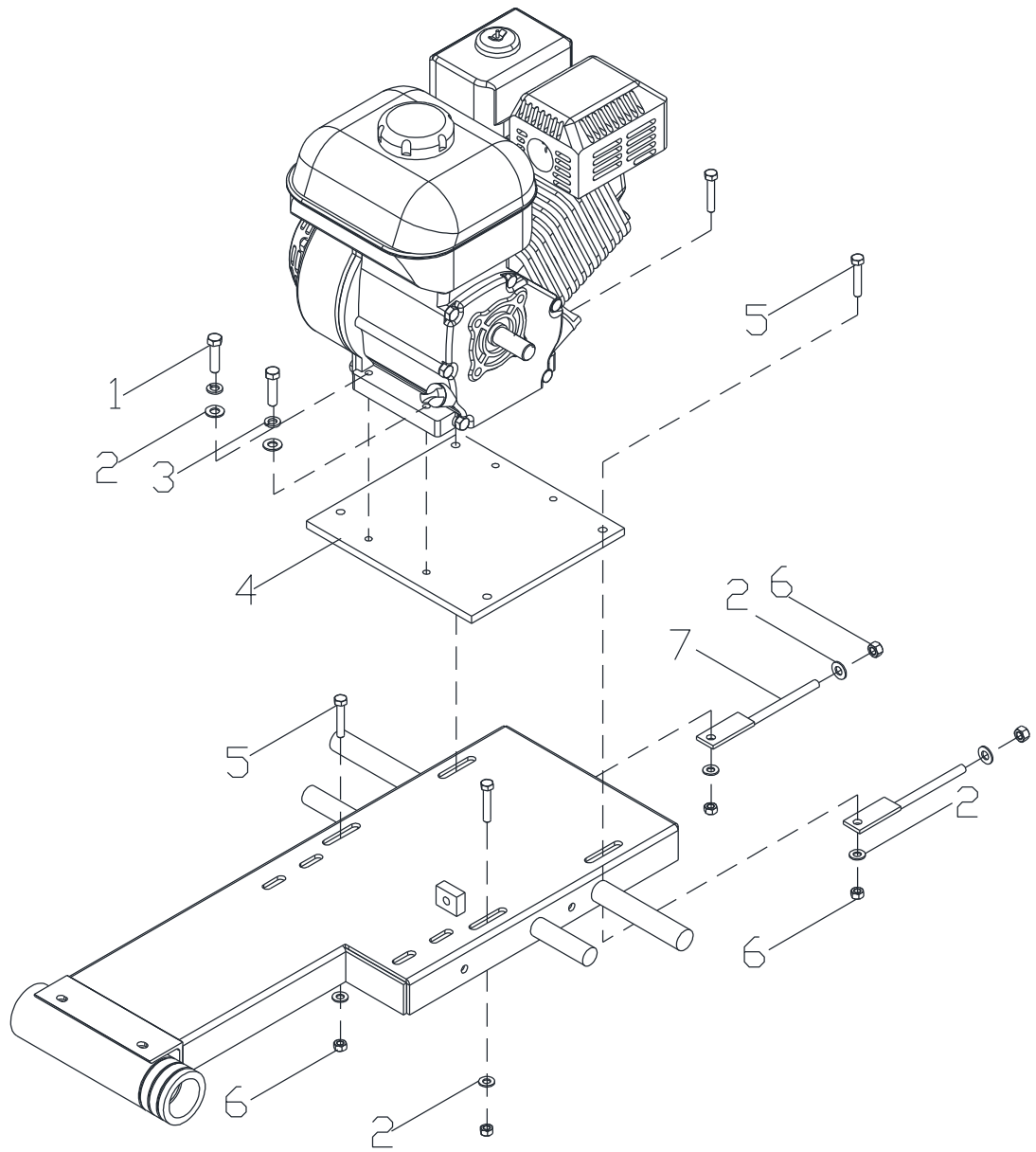


## CART ASSY.



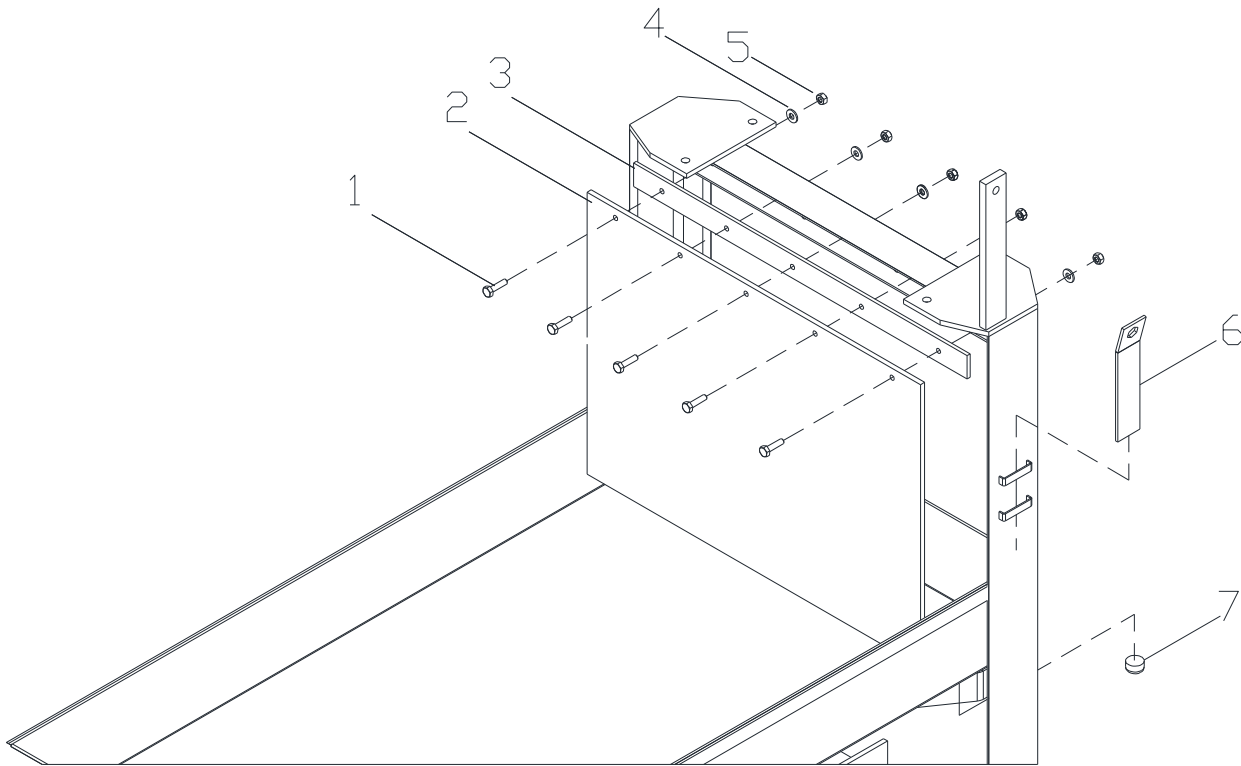
REF	PART	DESCRIPCION	DESCRIPTION	QTY
1	TOCD056134	Tornillo Hex, 5/16" x 1-3/4"	Bolt HexHd, 5/16" x 1-3/4"	4
2	RNPX056GAL	Rondana Plana, 5/16"	Washer Plain, 5/16"	16
3	TCCS056GAL	Tuerca Seg, 5/16"	Lock Nut, 5/16"	4
4	0414NY01CR	Ruedas	Ruedas	4
5	0414HN01CR	Neopreno (15" x 12")	Rubber V-RIB (15" x 12")	1
6	0414HN02CR	Neopreno (6-3/4" x 12")	Rubber V-RIB (6-3/4" x 12")	1
7	0414MD01CR	Almohadilla de Madera	Wood Insert	1
8	0414CO01CR	Carro	Cart	1
9	0414CO01EF	Ensamble Carro	Assembly Cart	1

## ENGINE MOUNT ASSY.



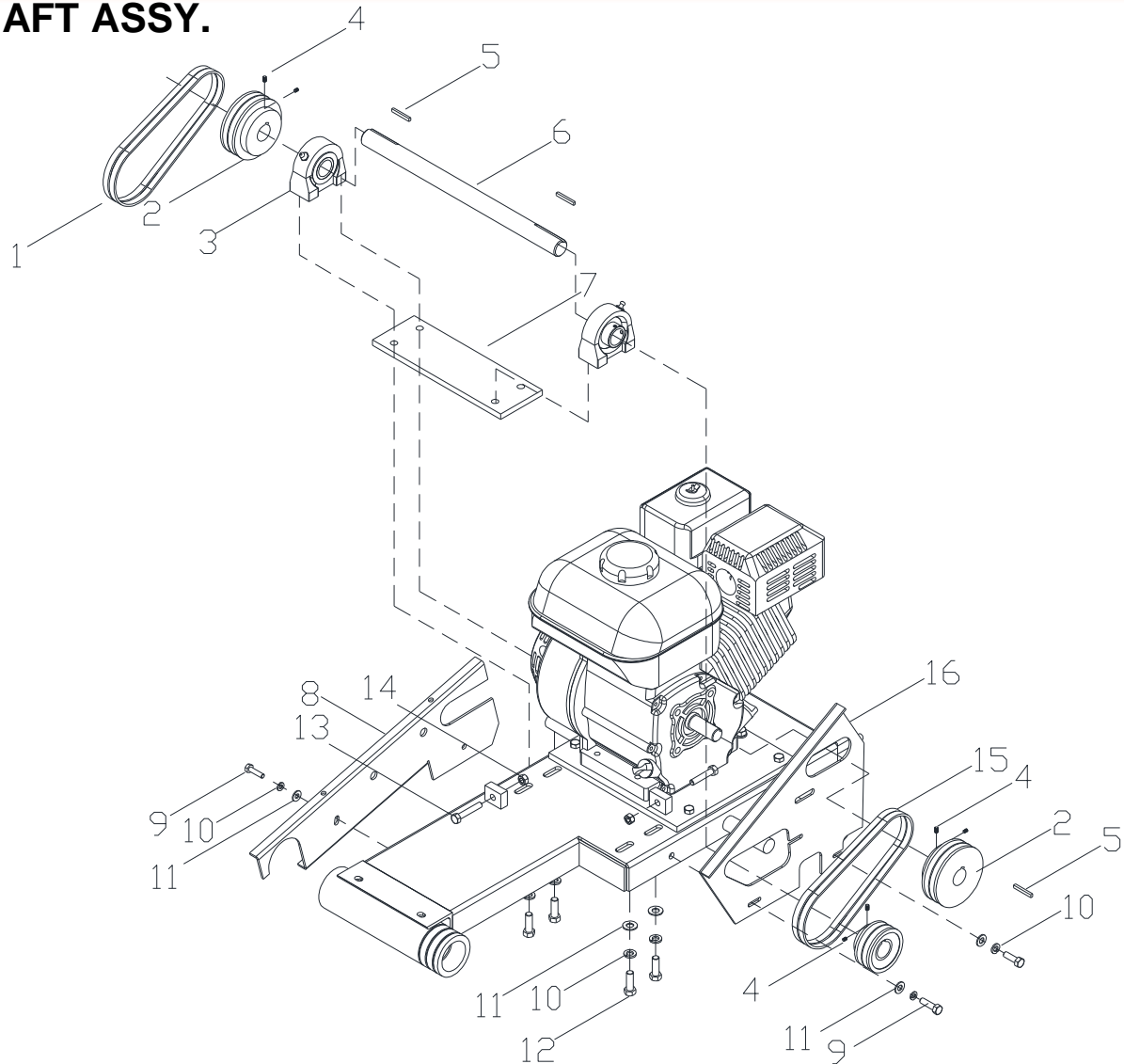
REF	PART	DESCRIPCION	DESCRIPTION	QTY
1	TOCD038112	Tornillo Hex, 3/8" x 1-1/2"	Bolt HexHd, 3/8" x 1-1/2"	4
2	RNPX038GAL	Rondana Plana, 3/8"	Washer Plain, 3/8"	10
3	RNRX038GAL	Rondana Presion, 3/8"	Lock Washer, 3/8"	4
4	0414PL01BM	Montaje Base Motor	Engine Mount	1
5	TOCD038134	Tornillo Hex, 3/8" x 1-3/4"	Bolt HexHd, 3/8" x 1-3/4"	4
6	TCCS038GAL	Tuerca Seg, 3/8"	Lock Nut, 3/8"	6
7	0414CO01BM	Tensor	Belt Tightener	2

## TRAY ASSY.



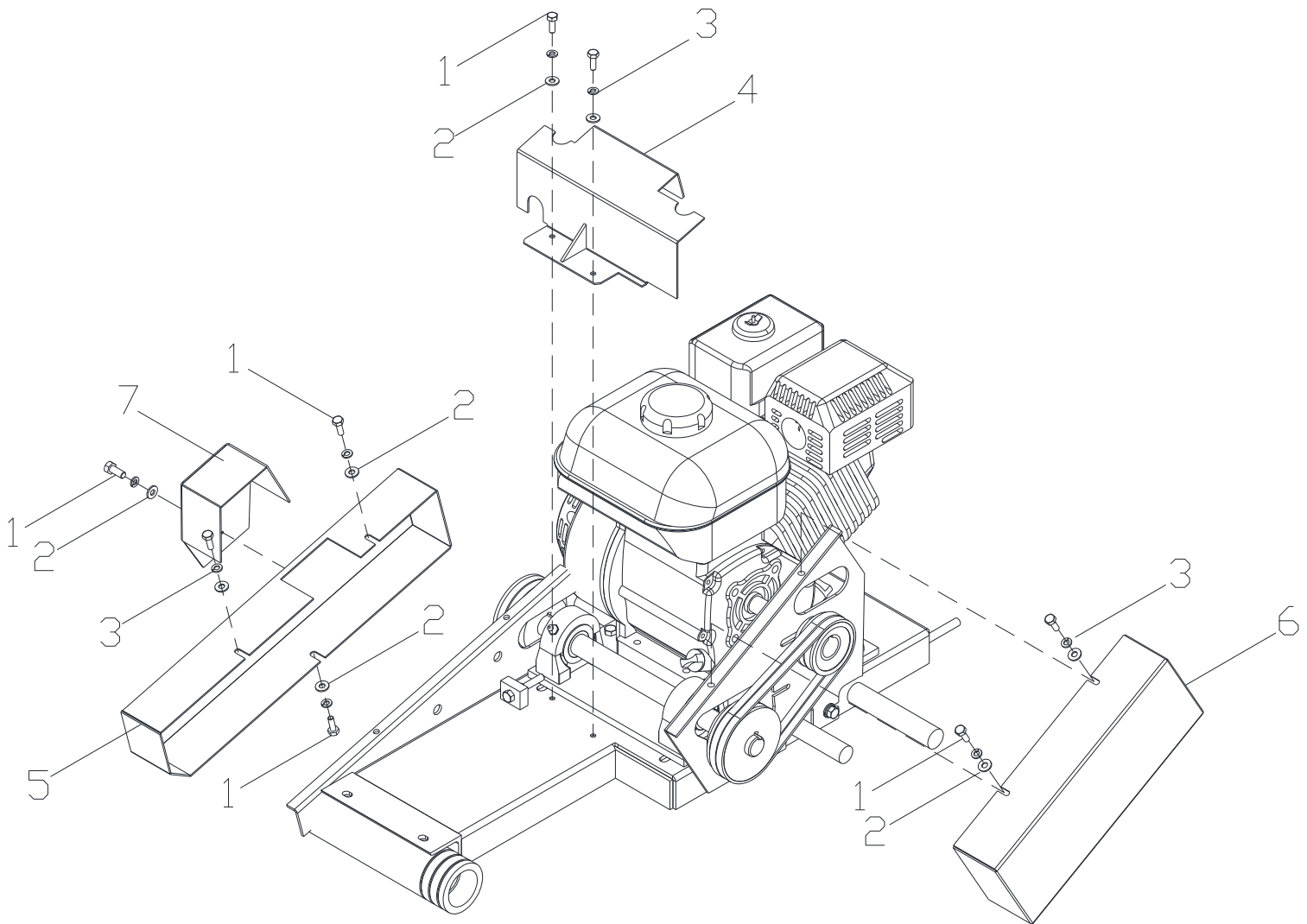
REF	PART	DESCRIPCION	DESCRIPTION	QTY
1	TOCD014100	Tornillo Hex, 1/4" x 1"	Bolt HexHd, 1/4" x 1"	5
2	0414HN01CA	Cortina	Curtain, Splash	1
3	0414SO01CA	Sujecion cortina	Curtain support	1
4	RNPX014GAL	Rondana Plana, 1/4"	Washer Plain, 1/4"	5
5	TCCS014GAL	Tuerca Seg, 1/4"	Lock Nut, 1/4"	5
6	0414LA01CA	Llave	Wrench	1
7	0414RF01CA	Tapon Cachucha, 1/2"	Cap, 1/2"	1

## JACKSHAFT ASSY.



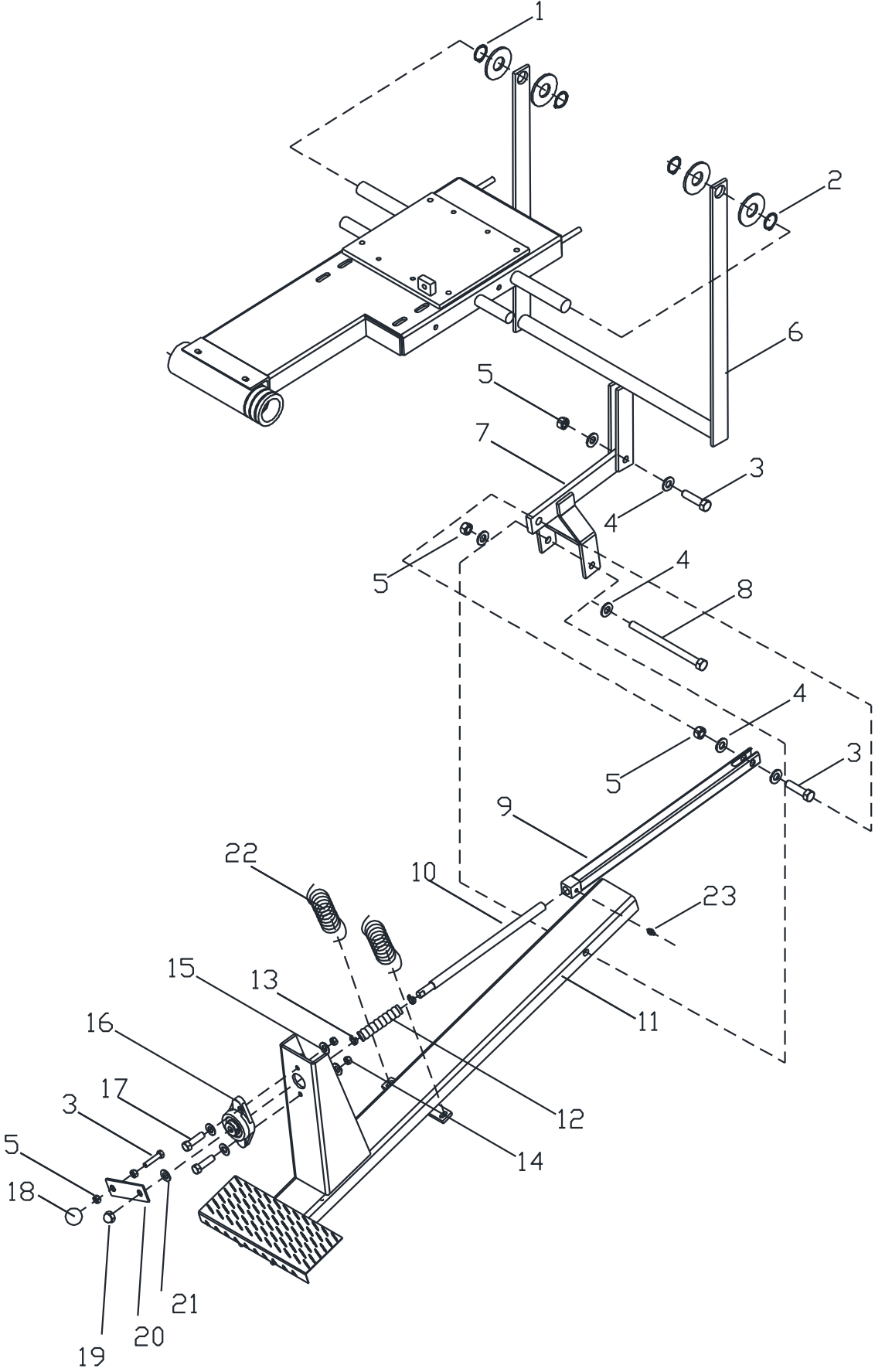
REF	PART	DESCRIPCION	DESCRIPTION	QTY
1	0414BN01JF	Banda 3VX375	Spindle V-belt 3VX375	2
2	0414CR01JF	Polea Motor	Pulley Engine / Jackshaft	2
3	0414CH01JF	Chumacera de Piso 1"	Pillow Block, 1"	2
4	OPFR014014	Opresor Allen, 1/4"	Allen Screw, 1/4"	6
5	0414CC01JF	Cuña 1/4" x 1-1/4"	Key Square 1/4" x1-1/4"	3
6	0414CR02JF	Flecha	Jackshaft	1
7	0414PL01JF	Soporte Flecha	Support Plate, Jackshaft	1
8	0414LA01GB	Soporte Guarda Banda	Mounting Bracket, Belt Guard	1
9	TOCD038100	Tornillo Hex, 3/8" x 1"	Bolt HexHd, 1/4" x 1"	4
10	RNRX038GAL	Rondana Presion, 3/8"	Lock Washer, 3/8"	8
11	RNPX038GAL	Rondana Plana, 3/8"	Washer Plain, 3/8"	8
12	TOCD038114	Tornillo Hex, 3/8" x 1-1/4"	Bolt HexHd, 1/4" x 1-1/4"	4
13	TOCD038400	Tornillo Hex, 3/8" x 4"	Bolt HexHd, 1/4" x 4"	2
14	TCCS038GAL	Tuerca Seg, 3/8"	Lock Nut, 3/8"	2
15	0414BN02JF	Banda 3VX250	Drive Belt 3VX250	2
16	0414LA02GB	Soporte Guarda Banda	Belt Guard Mount	1

## COVER ASSY



REF	PART	DESCRIPCION	DESCRIPTION	QTY
1	TOCD036034	Tornillo Hex, 3/16" x 3/4"	Bolt HexHd, 3/16" x 3/4"	8
2	RNPX036GAL	Rondana Plana, 3/16"	Washer Plain, 3/16"	8
3	RNRX036GAL	Rondana Presion, 3/16"	Lock Washer, 3/16"	8
4	0414LA01JF	Tolva Flecha	Jackshaft Cover	1
5	0414LA03GB	Guarda Banda	Belt Guard, Left side	1
6	0414LA04GB	Guarda Banda JackShaft	Belt Guard, JackShaft	1
7	0414LA05GB	Tolva Bomba de Agua	Cover, Water Pump	1

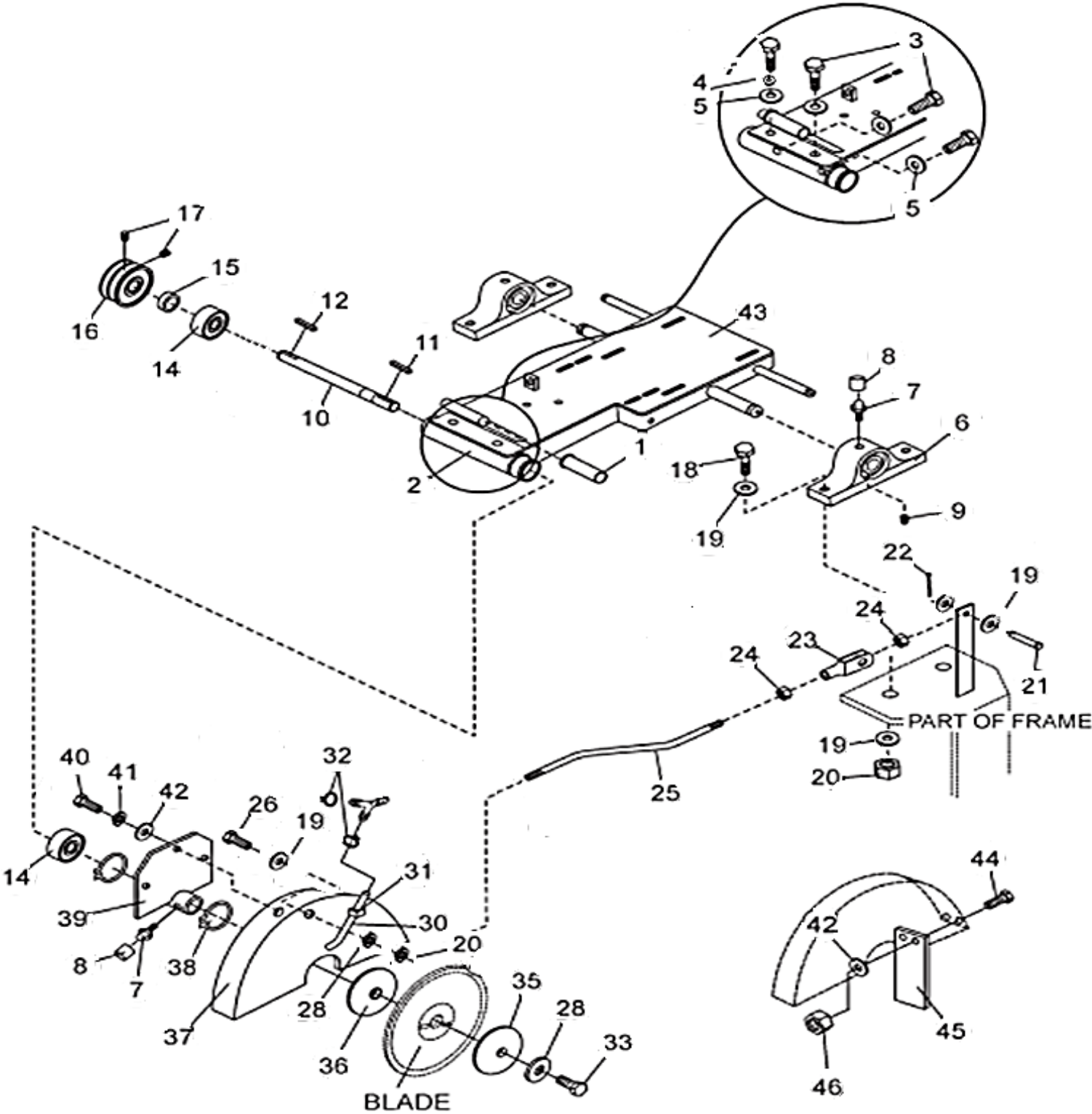
**STEP PEDAL ASSY**



**MASONRY SAWS**

REF	PART	DESCRIPCION	DESCRIPTION	QTY
1	RNPX100GAL	Rondana Plana, 1"	Washer Plain, 1"	4
2	0414RF01DP	Seguro omega 1"	Snap Ring 1"	4
3	TOCD012200	Tornillo Hex, 1/2" x 2"	Bolt HexHd, 1/2" x 2"	3
4	RNPX012GAL	Rondana Plana, 1/2"	Washer Plain, 1/2"	6
5	TCCS012GAL	Tuerca Seg, 1/2"	Lock Nut, 1/2"	5
6	0414CO01DP	Pivoteo, base motor	Pivot Bracket, Motor Plate	1
7	0414CO02DP	Pivoteo, Pedal	Pivot Bracket, Step Pedal	1
8	TOCD012700	Tornillo Hex, 1/2" x 7" Vastago	Bolt HexHd, 1/2" x 7"	1
9	0414CO03DP	Baston Elevador	Pivot Tube	1
10	0414CR01DP	Tornillo Elevador	Rod, Blade Height Adj.	1
11	0414CO04DP	Pedal	Foot Pedal	1
12	0414RF02DP	Protector Plastico	Belows	1
13	0414RF03DP	Abrazadera para manguera	Clamp Hose	2
14	TCCS056GAL	Tuerca Seg, 5/16"	Lock Nut, 5/16"	2
15	RNPX056GAL	Rondana Plana, 5/16"	Washer Plain,5/16"	4
16	0414CH01DP	Chumacea de piso 5/8"	Bearing-Flanged	1
17	TOCD056112	Tornillo Hex, 5/16" x 1-1/2"	Bolt HexHd, 5/16" x 1-1/2"	2
18	0414RF04DP	Perilla Bola 1/2"	Knob 1/2"	1
19	0414RF05DP	Tuerca 5/8"	Cap Nut 5/8"	1
20	0414SO01DP	Manivela	Handle	1
21	RNPX058GAL	Rondana Plana, 5/8"	Washer Plain,5/8"	1
22	0414RF06DP	Resorte	Extension Spring	2
23	0000GRH200	Grasera H200	Grease Fittig, 1/8 NPT	1

COVER ASSY

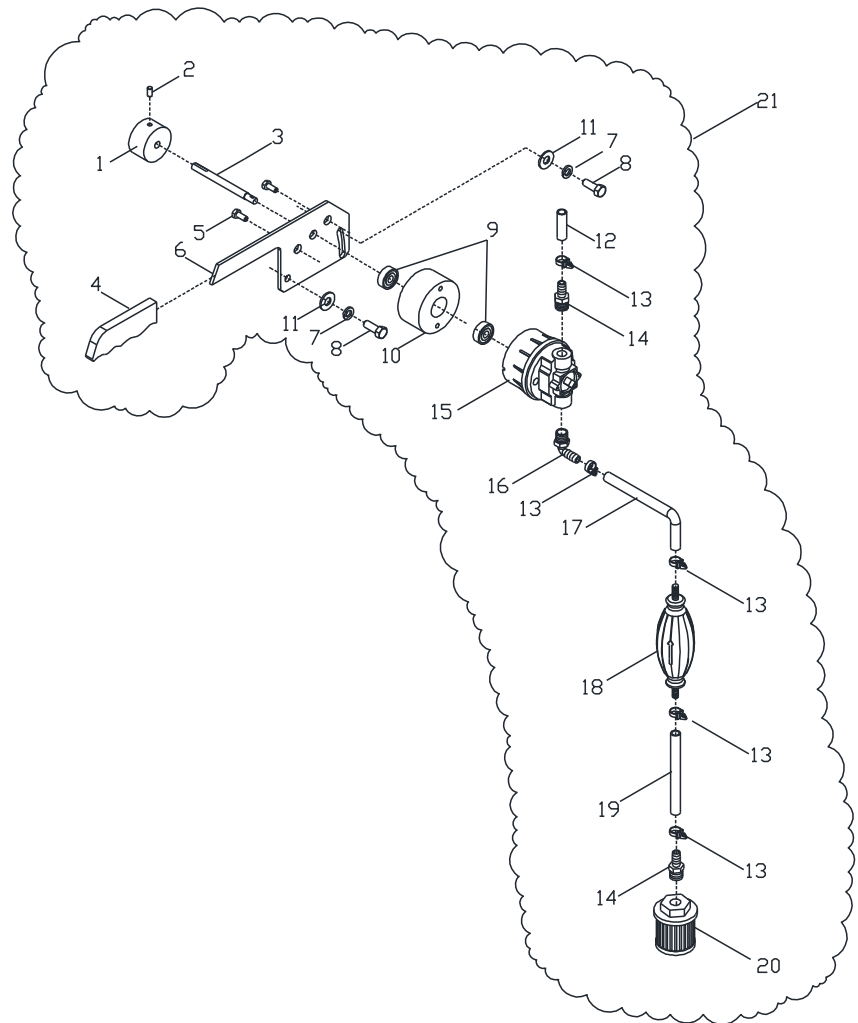




**MASONRY SAWS****COVER ASSY**

REF	PART	DESCRIPCION	DESCRIPTION	QTY
1	0000RF01RJ	Puño	Grip Handle	1
2	0414BH01CO	Funda	Tube Spindle Assy	1
3	TOCD056100	Tornillo Hex, 5/16" x 1"	Bolt HexHd, 5/16" x 1"	4
4	RNRX056GAL	Rondana Presion, 5/16"	Lock Washer, 5/16"	4
5	RNPX056GAL	Rondana Plana, 5/16"	Washer Plain, 5/16"	4
6	0414CH01CO	Chumacera de Piso 1" (incluye 7,8 y 9)	Pillow Block, 1" (includes 7,8 y 9)	2
7	0000GRH200	Grasera H200	Grease Fittig, 1/8 NPT	1
8	-	Incluido en (6,7)	Included #6 & #7	3
9	-	Incluido en (6)	Included #6	2
10	0414CR01CO	Flecha Corte	Shaft Spindle	1
11	0414CC01CO	Cuña	Key	1
12	0414CC02CO	Cuña	Key	1
14	0414RF01CO	Balero 5204RS	Bearing 5204RS	2
15	0414CR02CO	Buje Separador	Spacer	1
16	0414CR03CO	Polea	Pulley Spindle	1
17	OPFR014014	Opresor Allen 1/4"	Allen Screw, 1/4"	2
18	TOCD038134	Tornillo Hex, 3/8" x 1-3/4"	Bolt, HexHd, 3/8" x 1-3/4"	4
19	RNPX038GAL	Rondana Plana, 3/8"	Washer Plain, 3/8"	11
20	TCCS038GAL	Tuerca Seg, 3/8"	Lock Nut, 3/8"	5
21	0414CR04CO	Perno	Pin	1
22	SC3116200GAL	Chaveta 3/16" x 2"	Pin Cotter, 3/16 x 2	1
23	0414RF01GD	Yoke end	Yoke End, Adjustable	1
24	TCCN038GAL	Tuerca Normal, 3/8"	Nut Hex, 3/8"	2
25	0414CR01GD	Tensor	Tie Rod	1
26	TOCD038114	Tornillo Hex, 3/8" x 1-1/4"	Bolt, HexHd, 3/8" x 1-1/4"	1
28	RNRX038GAL	Rondana Presion, 3/8"	Lock Washer, 3/8"	2
30	0414RF02GD	Manguera 1/4"	Hose 1/4"	2
31	0414RF03GD	Abrazadera para manguera	Clamp Hose, Blade Guard	2
32	0414RF04GD	Abrazadera para manguera 1/4"	Clamp Hose	2
33	TOFD038114	Tornillo Hex, 3/8" x 1-1/4" NF	Bolt, HexHd, 3/8" x 1-1/4" NF	1
35	0414CR05CO	Guasa Exterior	Outer Flange	1
36	0414CR06CO	Guasa interior	Outer Inner	1
37	0414CO01GD	Guarda Disco	Blade Guard Assy	1
38	0414RF05GD	Seguro omega	Snap Ring	2
39	0414CO02GD	Montaje Guarda	Mounting Plate, Blade Guard	1
40	TOCD014112	Tornillo Hex, 1/4" x 1-1/2"	Bolt, HexHd, 1/4" x 1-1/2"	3
41	RNRX014GAL	Rondana Presion, 1/4"	Lock Washer, 1/4"	3
42	RNPX014GAL	Rondana Plana, 1/4"	Washer Plain, 1/4"	5
43	0414CO02BM	Base Motor	Motor Plate Assy	1
44	TOCD014100	Tornillo Hex, 1/4" x 1"	Bolt, HexHd, 1/4" x 1"	2
45	0414HN01GD	Lodera Neopreno	Splash Shield	1
46	TCCS014GAL	Tuerca Seg, 1/4"	Lock Nut, 1/4"	1

## WATER PUMP ASSY.



REF	PART	DESCRIPCION	DESCRIPTION	QTY
1	0414FA01SA	Polea Bomba de Agua	Pulley Water Pump 2"	1
2	0414RF01SA	Tornillo, SHS 1/4 "-20 x 1/2"	Screw, SHS 1/4"-20 x 1/2"	4
3	0414RF02SA	eje de la bomba	Shaft Pump	1
4	0414RF03SA	Puño	Grip, Pump Handle	1
5	0414RF04SA	Tornillo, RHM 1/4 "-20 x 5/8"	Screw, RHM 1/4"-20 x 5/8"	2
6	0414RF05SA	Soporte, montaje de la bomba	Bracket, Pump Mountig	1
7	0414RF06SA	Rondana de presion, 3/8 "	Washer Lock, 3/8"	2
8	0414RF07SA	Tornillo, HHC 3/8 "-16 x 1"	Screw, HHC 3/8"-16 x 1"	2
9	0414RF08SA	Balero	Bearing, Ball	2
10	0414RF09SA	Tapon Bomba de agua	Cap, Water Pump	1
11	0414RF10SA	Rondana Plana, 3/8"	Washer, Flat 3/8"	2
12	0414RF11SA	Manguera, trenzado de PVC de 3/8 "x 5/8"	Hose, Braided PVC 3/8" x 5/8"	1
13	0414RF12SA	Abrazadera para Manguera	Hose Clamp	4
14	0414RF13SA	Montaje, de plástico STR 6 Barb	Fitting, Plastic STR 6 Barb	2
15	0414RF14SA	Base, bomba de agua	Base, Water Pump	1
16	0414RF15SA	Montaje, de plástico 90 6 Barb	Fitting, Plastic 90 6 Barb	1
17	0414RF16SA	Manguera, trenzado de PVC de 3/8 "x 5/8"	Hose, Braided Pvc 3/8" x 5/8"	1
18	0414RF17SA	Cebador	Bulb, Primer	1
19	0414RF18SA	Manguera, trenzado de PVC de 3/8 "x 5/8"	Hose, Braided PVC 3/8" x 5/8"	1
20	0414RF19SA	Filtro	Strainer, Inlet 3/8"	1
21	0414RF20SA	Conjunto de bomba de agua	Water Pump Kit	1